

For reference only. See data sheet for the detailed specifications.

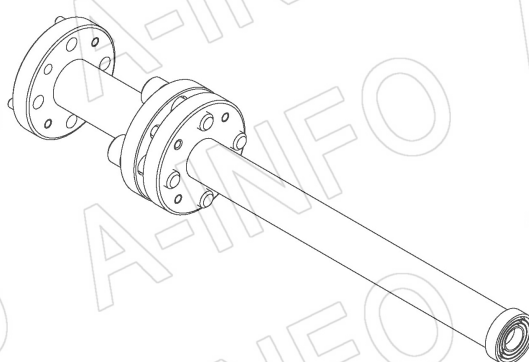
Technical Specification



Frequency Range(GHz)	60.0 – 90.0
Waveguide	WR12
Gain(dBi)	10 Typ.
Polarization	Linear
3dB Beamwidth(deg)	E Plane: 60 Typ.
	H Plane: 60 Typ.
10dB Beamwidth(deg)	E Plane: 108 Typ.
	H Plane: 109 Typ.
Cross Pol. Isolation(dB)	40 Typ.
VSWR	A Type: 1.20:1 Typ.
	C Type: 1.40:1 Typ.
Output	A Type: FUGP740(UG-387/U)
	C Type: 1.0mm-Female
Material	Cu
Finish	Gold Plated
Size(mm)	A Type: 19.1 x 19.1 x 99.2
	C Type: 19.1 x 25 x 124.6
Net Weight(Kg)	A Type: 0.05 Around
	C Type: 0.07 Around

Outline Drawing (Size: mm)

FUGP740 Output (P/N: LB-ACH-12-10-A)



AINFO Inc.

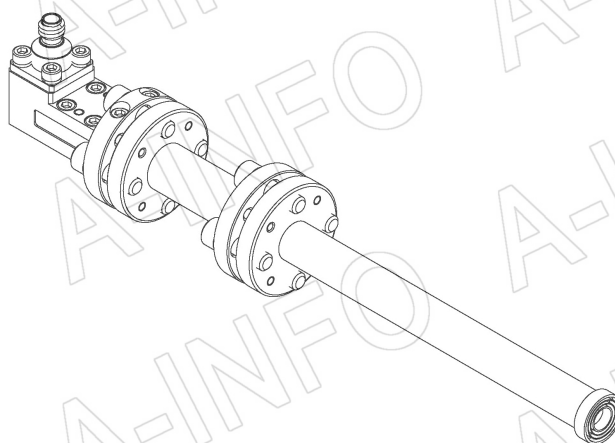
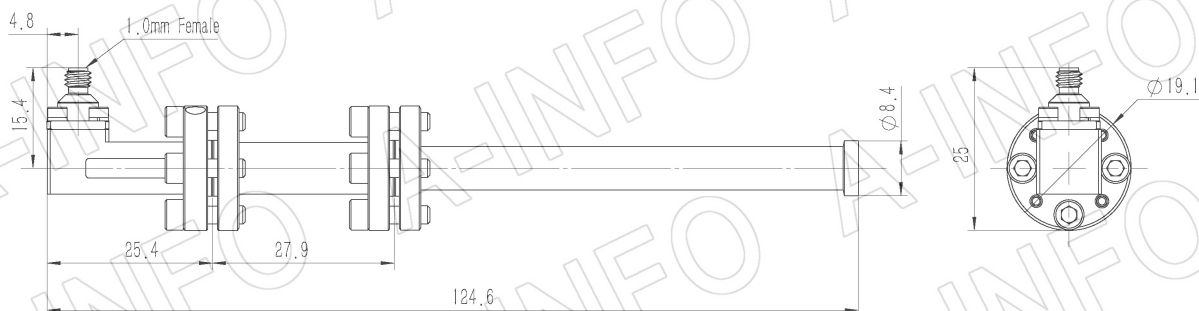
China(Beijing): Tel: (+86) 10-6266-7326,
 China(Chengdu): Tel: (+86) 28-8519-2786,
 USA: Tel: (+1) 949-639-9688,

Page 1 of 15

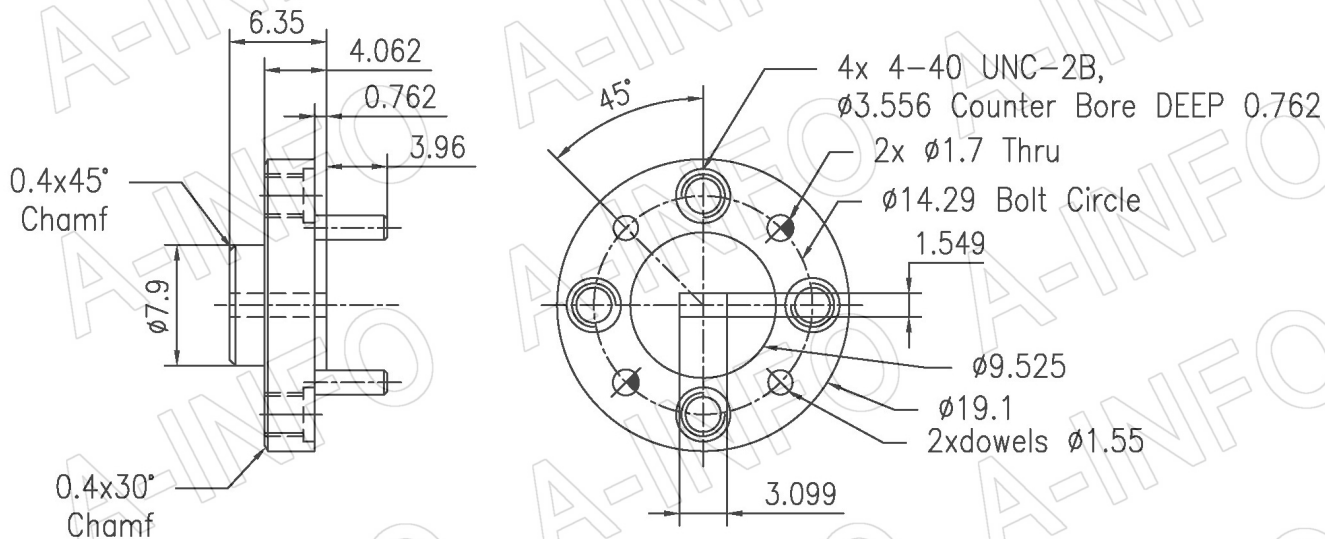
(+86) 10-6266-7327 Fax: (+86) 10-6266-7379
 (+86) 28-8519-3044 Fax: (+86) 28-8519-3068
 (+1) 949-639-9608 Fax: (+1) 949-639-9670

Website: www.ainfoinc.com
 Email: sales@ainfoinc.com

1.0mm-Female Output (P/N: LB-ACH-12-10-C-1.0F)



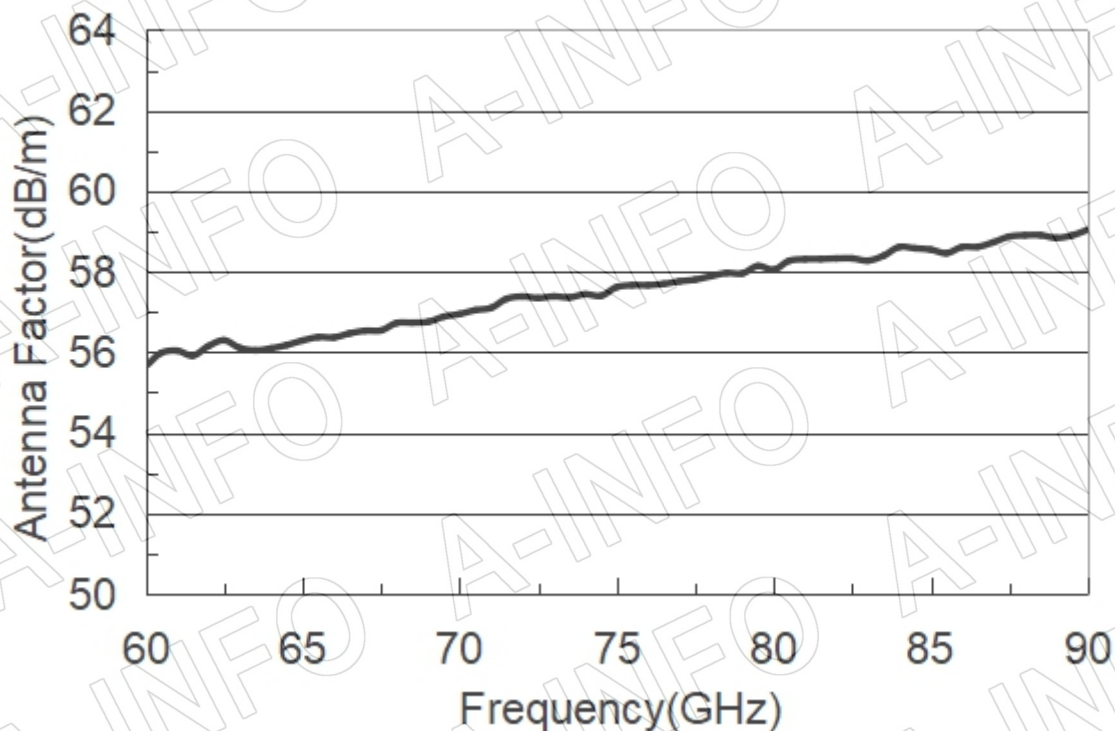
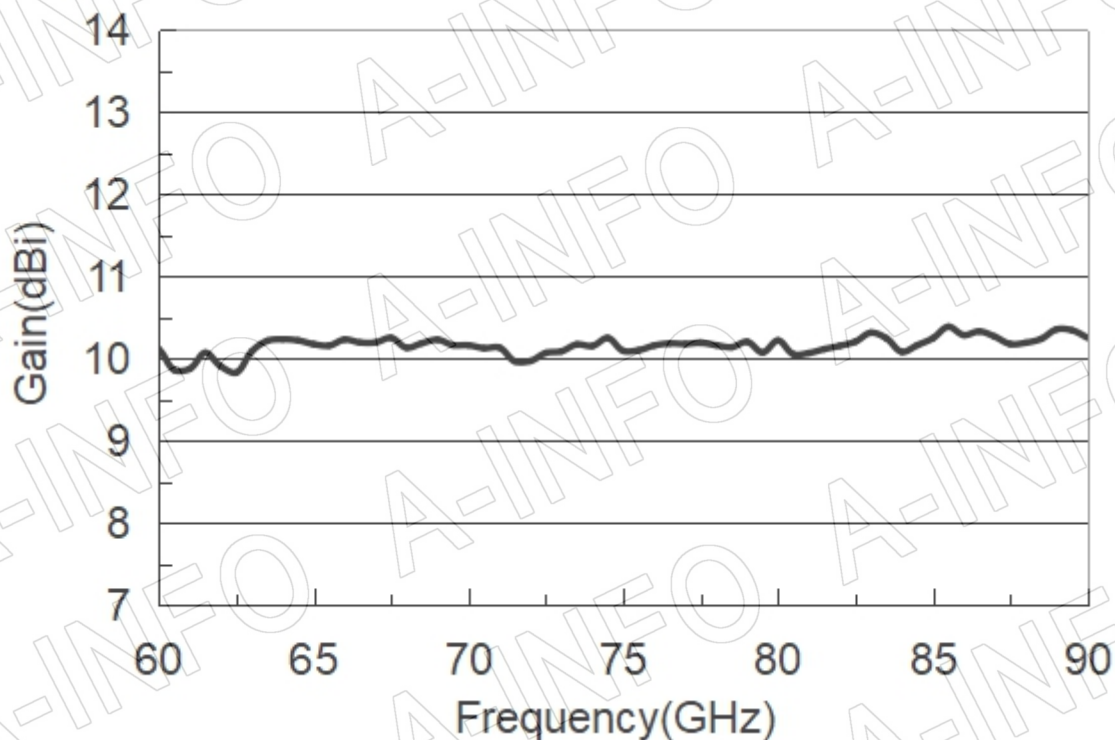
Flange Drawing (Size: mm)



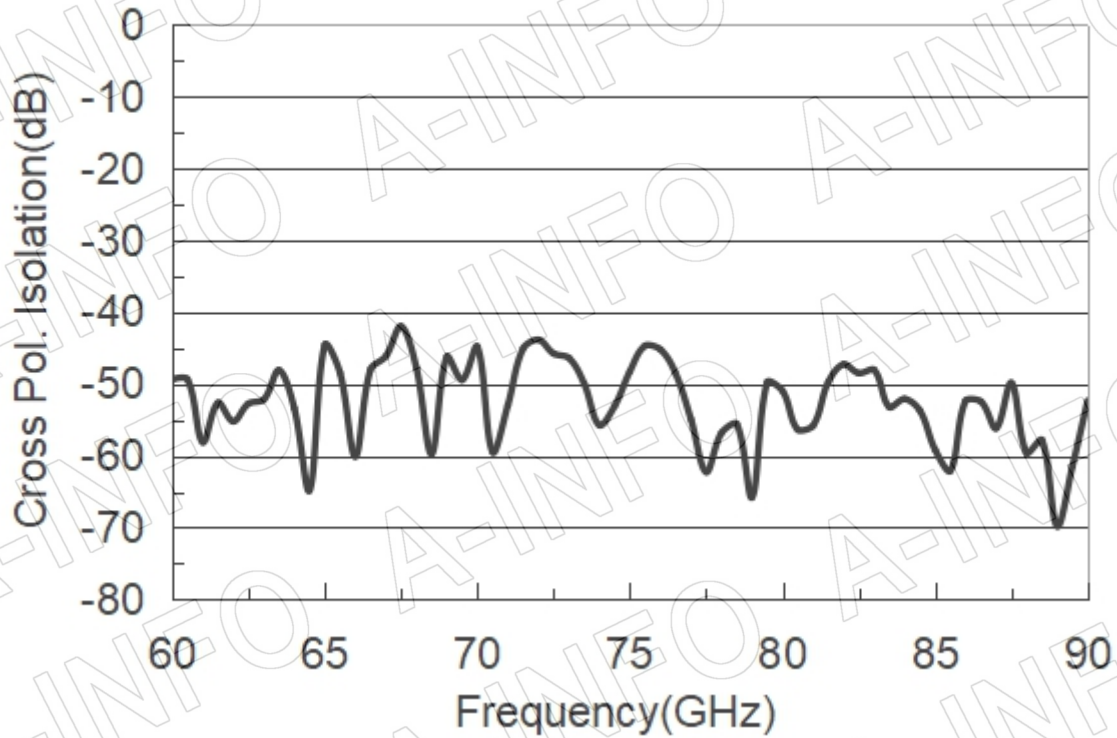
FUGP740
(equivalent to UG-387/U)

Test Results

1. Gain & Antenna Factor

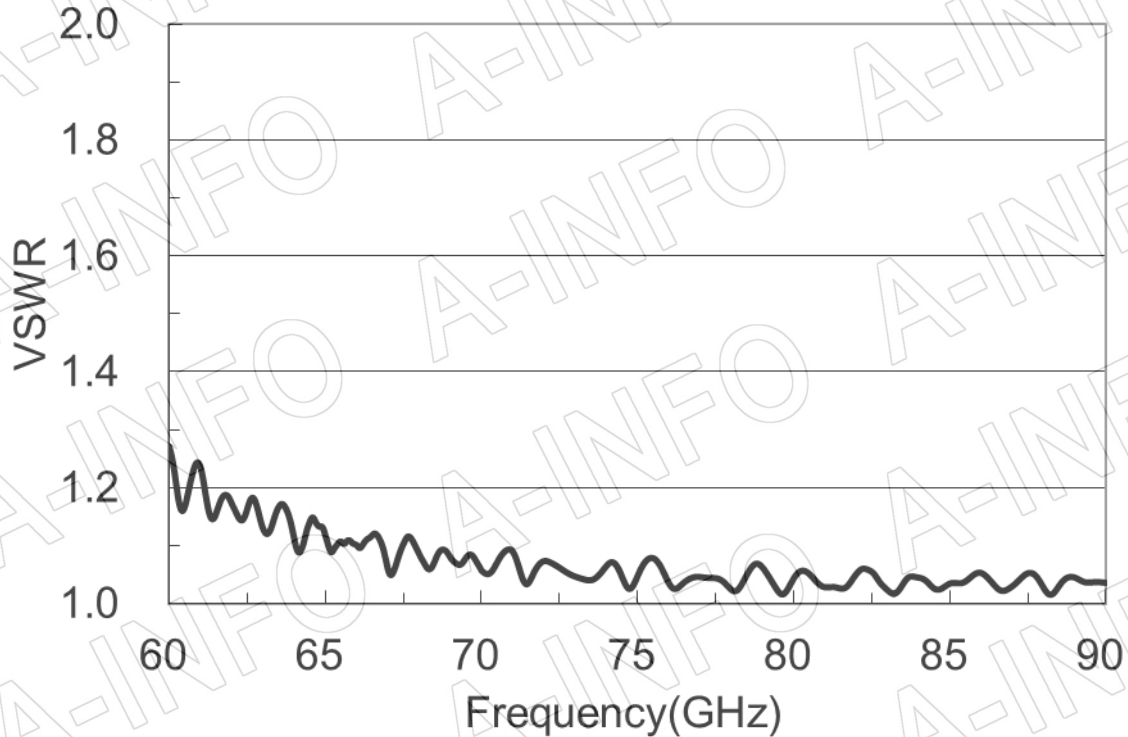


2. Cross Polarization Isolation

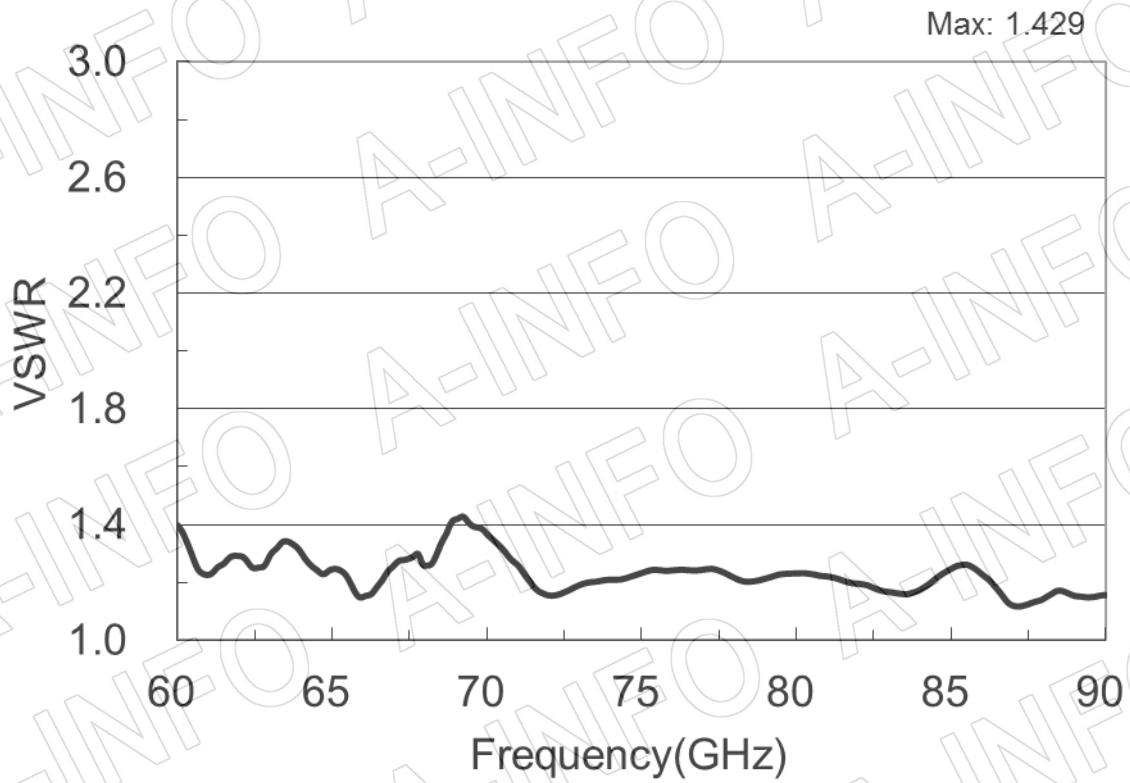


3. VSWR_A Type

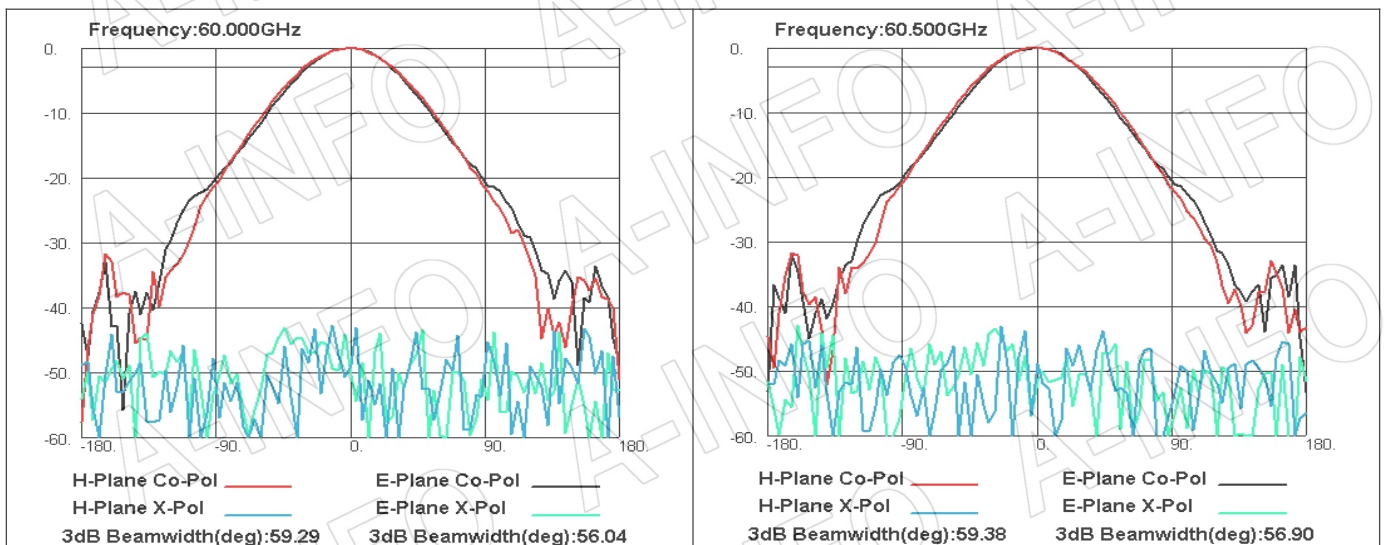
Max: 1.271



VSWR_C Type



4. Pattern



AINFO Inc.

China(Beijing): Tel: (+86) 10-6266-7326,
China(Chengdu): Tel: (+86) 28-8519-2786,
USA : Tel: (+1) 949-639-9688,

(+86) 10-6266-7327
(+86) 28-8519-3044
(+1) 949-639-9608

Fax: (+86) 10-6266-7379
Fax: (+86) 28-8519-3068
Fax: (+1) 949-639-9670

Website: www.ainfoinc.com
Email: sales@ainfoinc.com

